

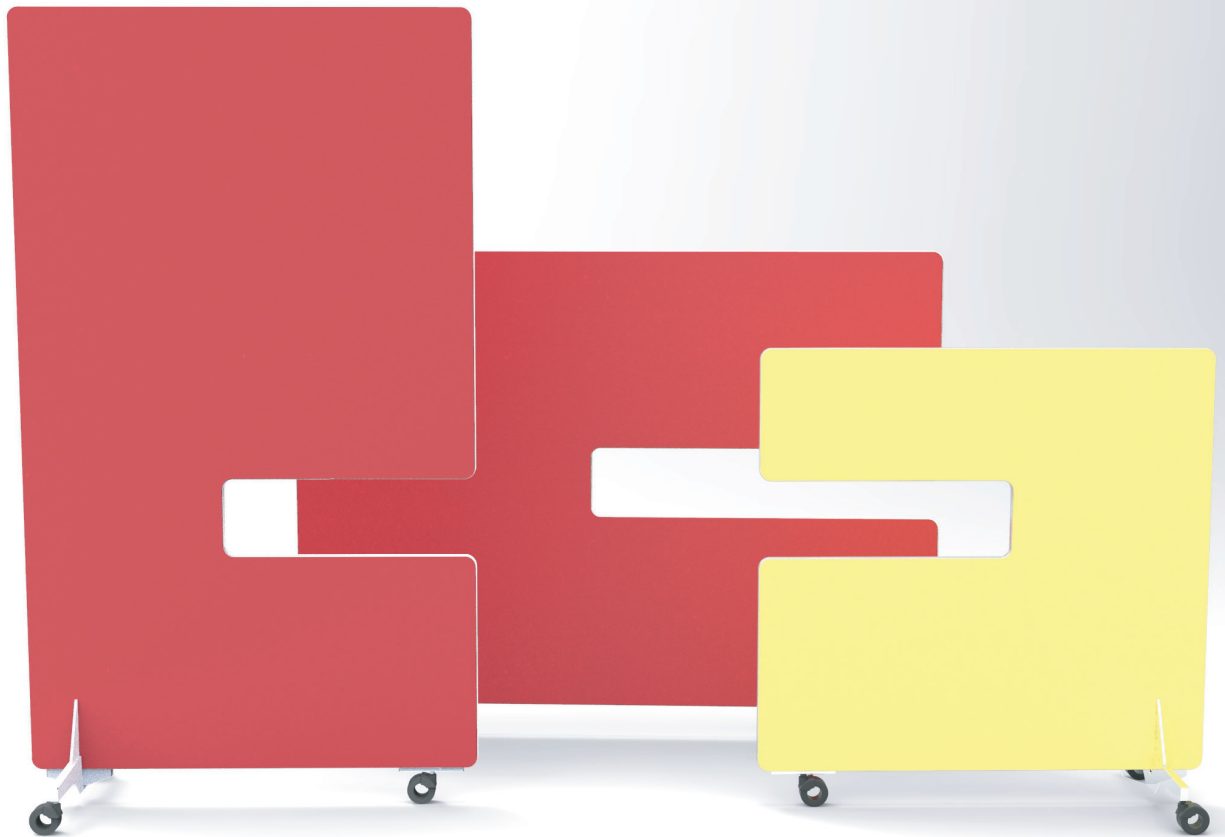


nienkämper
International Inc.

Phone: 800-821-4430
Email: order@aaasolutions.com
Web: aaasolutions.com

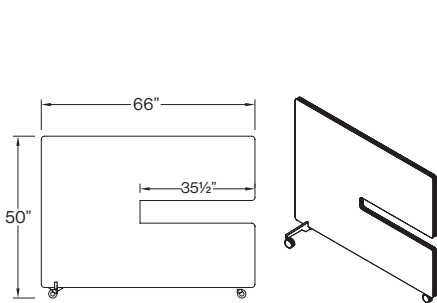
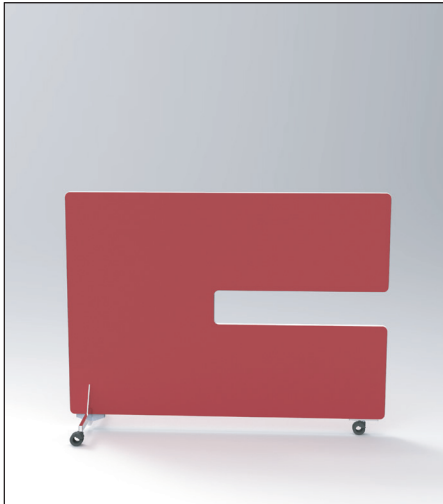
NOMAD®...Flexibility
interactive workspace

Screens
Charles Godbout & Luc Plante

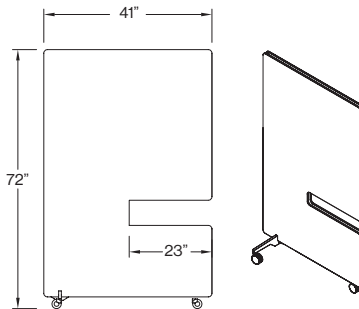


NOMAD...Flexibility
interactive workspace

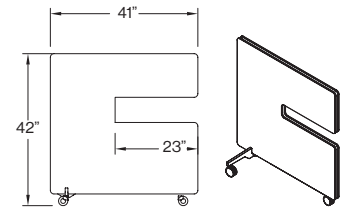
Nomad® Rolling Screens are an easy way to divide space while staying re-configurable. These screens have 3 casters and a bite section that allows the screens to overlap 29" tables. Screens are standard in tackable felt fabric but are also available in many Nienkamper / KnollTextile fabrics.



Model # 55682



Model # 55683



Model # 55681

Standard Felt Panel Colors



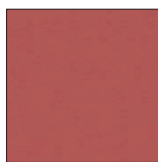
Light Grey



Yellow



Orange



Red



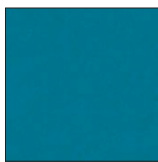
Green



Lime



Sky Blue



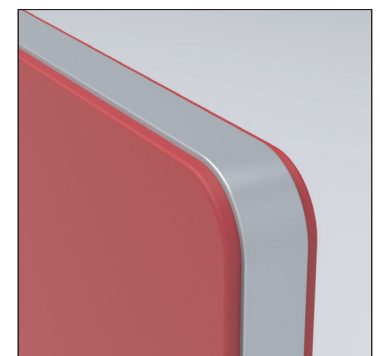
Cobalt Blue



Pewter Gray



Black



Screens are standard with silver anodized aluminum trim.