

ENCLAVE™ SNEEZE GUARD



Protective Barrier Shields

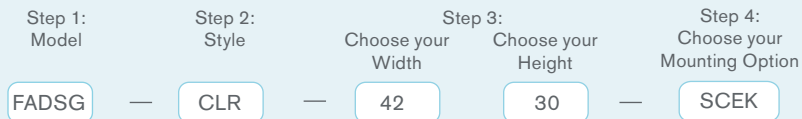
Protect employees and customers with our high quality, professionally designed clear acrylic Sneeze Guard panels. Our see-through protective barriers have a smooth edged opening on the bottom for safe document and currency exchange and are available in a variety of widths and heights to shield your entire worksurface.

Sneeze guards can be mounted with free standing feet for a moveable solution or be permanently fixed to your countertop or worksurface. Easy to disinfect and clean, MergeWorks' Sneeze Guards are an effective solution to keep your work environment safe and virus-free.

- Panels are available in several widths and heights for maximum coverage
- Cutout is 4" high and extends the full width of the panel less than 6" from each side
- All acrylic edges are sanded for a smooth finish
- 1/4" thick Acrylic is easy to disinfect and clean
- Removable and permanent mounting options available
- Made in the USA
- Customization available – special materials, sizes, shapes and mounting options



How to build your SKU:

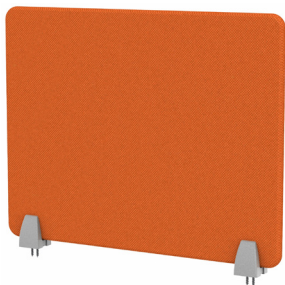


ENCLAVE™ SNEEZE GUARD

Model	Style	Width	Height	Mounting
FADSG Enclave™ Sneeze Guard	CLR Clear Acrylic	23"	24"	*TM Top Mount (silver or black)
	FRO Frosted Acrylic	30"	30"	*CEK Edge Clamp - Knob (silver or black)
		36"	36"	SFS Free Standing (silver)
		42"		
		47"		
		54"		
		60"		
		66"		
		72"		
		90"		



MOUNTING OPTIONS



Top Mount (TM)

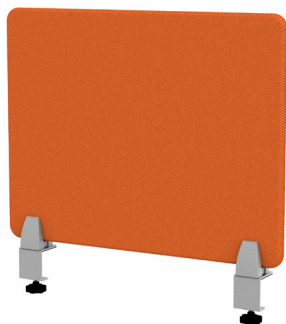
- Use for permanent mounting
- Install anywhere on the desk
- Work on all thickness tops
- Clamp position on panel is adjustable
- Kits include 2 or 3 Top Mounts depending on the width of the desk divider



Top Mount (STM)



Top Mount (BTM)



Edge Clamp - Knob (CEK)

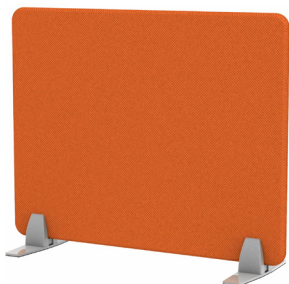
- Fast & easy installation and relocation
- Mount along the edge of work surface
- Clamp fits 3/4" to 2" thick tops
- No screwing or drilling into work surface required
- Clamp position on panel is adjustable
- Kits include 2 or 3 Clamps depending on the width of the desk divider



Edge Clamp - Knob (SCEK)



Edge Clamp - Knob (BCEK)



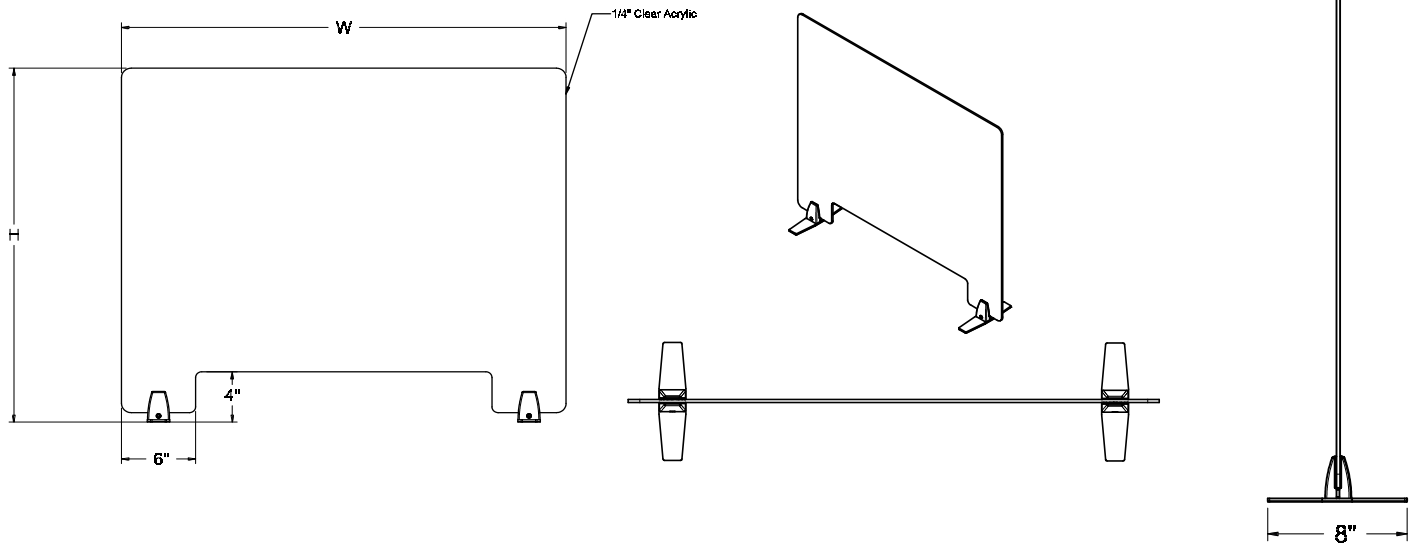
Free Standing Foot (FS)

- Fast & easy installation and relocation
- Stands freely on top of work surface
- Clamp position on panel is adjustable
- No screwing or drilling into work surface required
- A center Pad will be included on units 54" and wider

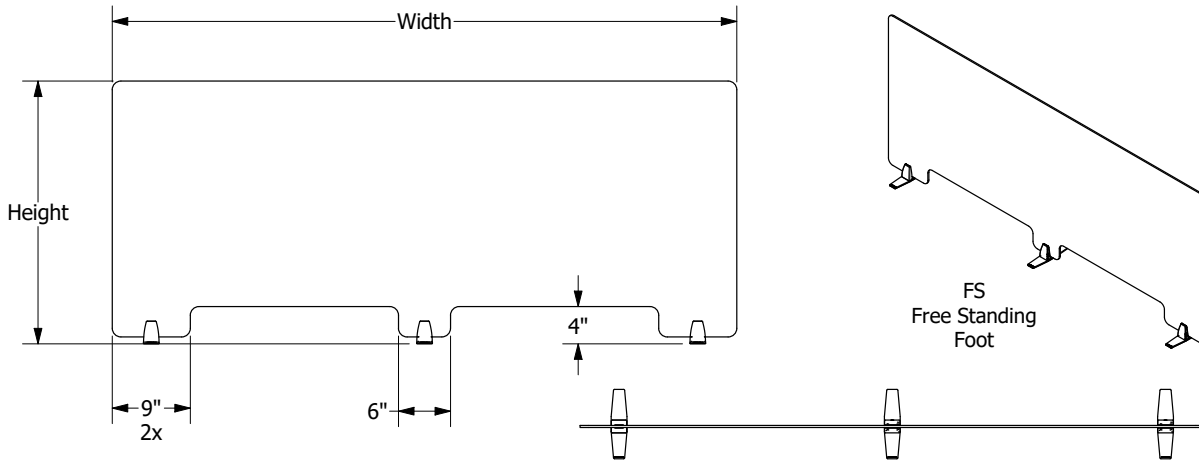


Free Standing (SFS)

SNEEZE GUARD LAYOUT FOR PANEL WIDTHS OF 23"-54"



SNEEZE GUARD LAYOUT FOR PANEL WIDTHS OF 60"-72"



SNEEZE GUARD LAYOUT FOR PANEL WIDTH OF 90"

