



Fluidconcepts Scissor Screens provide rapid full space division between desks and workstations. The screens can be positioned into existing workstations via a 'notch' in the screen.



Options

Sizes

Leveller Base Heights - 52", 66" High
 Caster Base Heights - 54", 68" High
 Widths - 48", 60" Wide
 Worksurface Depths - 24", 30" Deep

Base

PC - Casters
 PL - Levellers

Finishes

Frame - Anodized
 Upper Divider

AC1 - Clear Acrylic
 AF1 - Frosted Acrylic
 AW1 - White Opaque (Whiteboard)
 SS03 - Silver Grey Softscape
 SS04 - Charcoal Softscape

Lower Divider

AC1 - Clear Acrylic
 AF1 - Frosted Acrylic
 AW1 - White Opaque (Whiteboard)
 *TFL - Thermofused Laminate



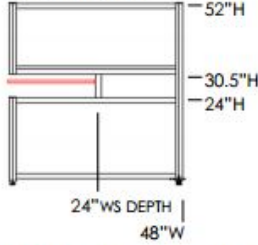
Features

- Foot and Single Post are Reversible
- Anodized Aluminum Frame
- 95% Recyclable
- Powdercoated Silver Metal Base

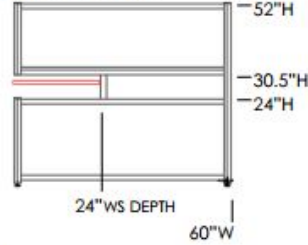


52" High with Leveller Glides

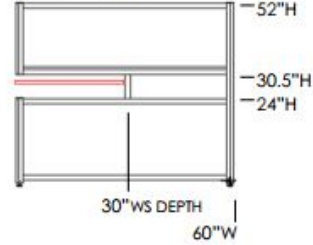
MSSPL524824



MSSPL526024

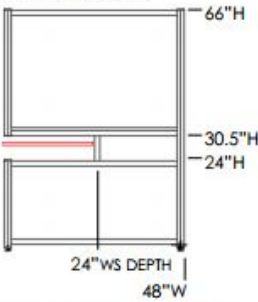


MSSPL526030

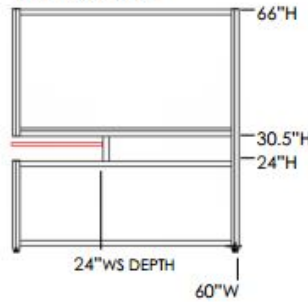


66" High with Leveller Glides

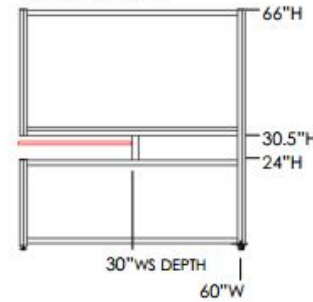
MSSPL664824



MSSPL666024

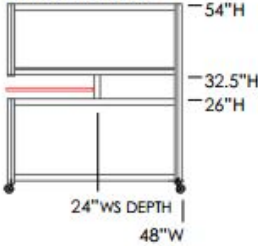


MSSPL666030

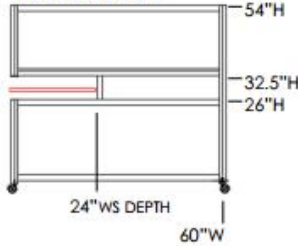


54" High with Casters

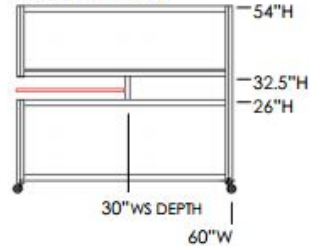
MSSPC544824



MSSPC546024

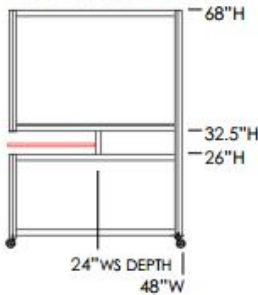


MSSPC546030

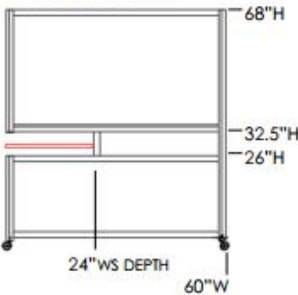


68" High with Casters

MSSPC684824



MSSPC686024



MSSPC686030

